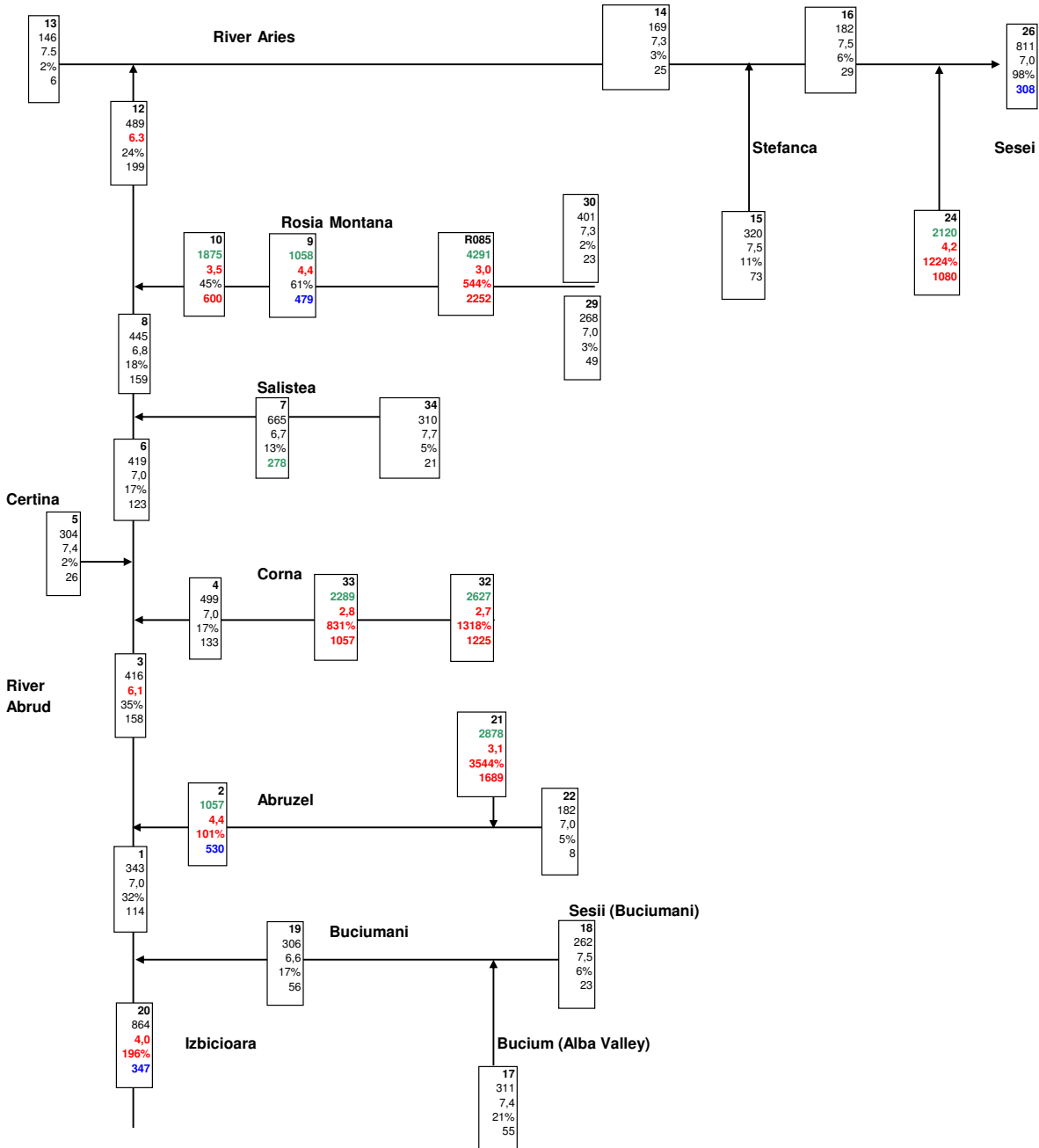


Baseline Environmental Pollution
Average values for the monitoring period Nov 2000 - Nov 2005



Sample Point (SO)	Units	Example	Standards		
			STAS1342/91	MO1146IV	TN001
EC	µS/cm	343	1000		
pH		6.7		6.5	6.5
As+Cd+Cu+Ni	% of standard TN001	76%			*900
SO ₄	mg/L	254	200	300	600

Exceedences of Standard
 TN001 **Red**
 MO1146IV **Blue**
 STAS 1342/91 **Green**

* Sum of standards for Total concentration of these parameters (=900 µg/l)

Standards:

- TN001 Industrial waste water discharge to natural receptors
- MO1146IV Category IV Surface Water
- STAS 1342/91 Drinking Water Standard